



**Green Apple Surgitech Pvt. Ltd.**



**Orthopedic Implants**

# THE COMPANY

Green Apple Surgitech Pvt Ltd started its journey in the month of May 2010 and we have expanded our infrastructure with our new division for Orthopedic implants in the month of June 2015. Today we are having an efficient manufacturing unit here at Savli in Vadodara, Gujarat, India. We have a wide range of premium quality products for Orthopedic Implants. Within the short span of period we have been privileged to work with a diverse range of customers ranging from large corporate hospitals to local nursing homes, Dealer network & Exporting all over the world because of our premium quality products.

Today Green Apple Stands on the **FOUR PILLARS** of Success.

**Quality Assurance :** Since quality plays a vital role in the healthcare sector, So we lay strict emphasis on maintaining quality & also upgrading quality control process.

**Customer Insight :** We recognize the unique requirement of the healthcare sector & firmly believe in customer satisfaction so work together with our customer to transform their material needs into customized products.

**Prompt Delivery :** We have channelized our distribution system in such a manner that our healthcare partners get the prompt service.

**Exclusive Price :** Today we believe in “**PREMIUM QUALITY AT LOW RATE**”. We avail our premium product in the market at lower rate than our competitor.

We are a leading manufacturer and supplier from Vadodara, Gujarat, India engaged in offering premium quality Orthopedic Implant products. The comprehensive range that we offer to clients includes Non locking plates, Non locking screws, Locking plates, Locking screws, Spine Implants, Intra medullary Nailing System with instruments, Joint Implants, Pediatric Implants etc., These are Hygienic, Good quality of raw material, Better quality check, Better packing with labeling.

## **Our Professionals**

We have a team of thoroughly trained professionals, who work in tandem with each other. They are well aware of the variegated demands of clients and accordingly ensure to meet the same. In our team, we have following professionals:

**Medical Experts**

**Machine Operators**

**Quality Controllers**

**Warehousing & Packaging personnel**

**Sales & Marketing personnel**

These professionals follow hygienic approach throughout different stages of production and post production. In addition, they also ensure to maintain Indian and International medical standards in these processes.

# CERTIFICATIONS

PRODUCT CERTIFICATE  
EC Attestation of Conformity

PROGRESSIVE

**GREEN APPLE SURGITECH PVT LTD**

Annex II :

Product	Product Description	Class
Trauma Implants	TRAUMA IMPLANTS - BONE PLATES, SCREW, WASHERS, INTRAMEDULLARY NAILS	IIB
Spinal Implants	SPINAL IMPLANTS - SCREWS, HOOKS, CONNECTORS, STAPLES, CAGES, RODS, CERVICAL PLATES, CERVICAL SCREWS	IIB

In accordance with TCF No. CE01

Registration No.: P/ICL/CE01/19079  
Certificate Issue Date: 23.07.2017  
1st Surveillance: 07.2018

Certificate Expire Date: 24.07.2020  
2nd Surveillance: 07.2019

Page 2 of 2

Head of Certificate

**CE**

This Certificate of Registration is granted subject to the Regulations approved by the Board of **PROGRESSIVE INTERNATIONAL CERTIFICATIONS LTD** Office 4, 219, Kensington High Street, Kensington, London, W8 6BD, England. E-mail: info@picl.com, Website: www.picl.com For current validity of this certificate, Please visit our website

CE CERTIFICATE

PRODUCT CERTIFICATE  
EC Attestation of Conformity

PROGRESSIVE

**GREEN APPLE SURGITECH PVT LTD**

SURVEY NO. 19, VILLAGE MAHAPURA, RANIYA SAVLI, DISTRICT: VADODARA-391780, GUJARAT,INDIA

Is in compliance with Directive- 93/42/EEC

For the following product **MANUFACTURER OF ORTHOPEDIC IMPLANTS & SURGICAL WOUND DRESSING**

has been assessed with respect to the conformity assessment procedure described in Annex II.3.a and Annex II including section 4 (Module H) of Council Directive 93/42/EEC on Medical Devices, as amended, and found to comply

In accordance with TCF No. CE01

The present certificate exclusively refers to the product above identified, in accordance to TCF submitted in PICL. Any Changes or modification implemented on the mentioned Product will not be covered by this certificate.

Registration No.: P/ICL/CE01/19079  
Certificate Issue Date: 23.07.2017  
1st Surveillance: 07.2018

Certificate Expire Date: 24.07.2020  
2nd Surveillance: 07.2019

Page 1 of 2

Head of Certificate

**CE**

This Certificate of Registration is granted subject to the Regulations approved by the Board of **PROGRESSIVE INTERNATIONAL CERTIFICATIONS LTD** Office 4, 219, Kensington High Street, Kensington, London, W8 6BD, England. E-mail: info@picl.com, Website: www.picl.com For current validity of this certificate, Please visit our website

CE CERTIFICATE

*Certificate of Registration*

This is to Certify That The Quality Management System of

**GREEN APPLE SURGITECH PVT LTD**

SURVEY NO. 19, VILLAGE MAHAPURA, RANIYA SAVLI, DISTRICT: VADODARA-391780, GUJARAT, INDIA.

has been assessed and found to conform to the requirements of **ISO 9001:2015** for the following scope :

MANUFACTURER & SUPPLIER OF ORTHOPEDIC IMPLANTS SUCH AS TRAUMA IMPLANTS & SPINAL IMPLANTS & INSTRUMENTS AND ACCESSORIES AS PER CUSTOMER'S REQUIREMENTS AND SURGICAL PRODUCTS SUCH AS ELASTIC ADHESIVE BANDAGE, COTTON CREPE BANDAGE, CANNULA FIXATOR & CAST PADDING AS PER B.P.(BRITISH PHARMACOPOEIA) GUIDELINES.

Certificate No : 171QA071  
Initial Registration Date : 28/07/2017  
Date of Expiry\* : 27/07/2020  
1st Surve. Due : 28/06/2018  
2nd Surve. Due : 28/06/2019

ISSUANCE DATE : 28/07/2017

DIRECTOR

**ROHS**

**IAF**

**ROHS Certification Pvt. Ltd.**

170, Madhav Building, 55, Indra Park, New Delhi - 110 016, India | +91 88 652022 | e-mail: info@rohs-certification.com, www.rohs-certification.com  
\*The Registration is valid for a Period of 5 Years. \*Subject to successful completion of surveillance audits. \*For the registration see www.certhub.com

ISO 9001:2015 CERTIFICATE

**FORM 28** (See Rule 10)

License to manufacture for sale (or for distribution) of drugs specified in Schedule C, C(I) excluding those specified in schedule X

Number of licence and date of issue No **G/28/1527** Dated -**02/07/2015**

1. **DIRECTORS** of **M/s. GREEN APPLE SURGITECH PVT. LTD.** is hereby granted licence to manufacture at the premises situated at the **SURVEY NO. 19, VILLAGE - MAHAPURA, RANIYA TAL - SAVLI DIST - VADODARA - 391780.**

the following drugs being drugs specified in schedule C & C(I) Excluding those specified in sch. X to the Drugs and Cosmetics Rules 1945.

Names of Drugs : **As Per List Approved & Annexed**

2. Names of approved competent technical staff: **As Per List Approved & Annexed**

3. The licence authorizes the sale by way of wholesale dealing by the licensee and storage for sale by the licensee of the drugs manufactured under the licence, subject to the conditions applicable to licences for sale.

4. The licence will be in force From **02/07/2015** To **01/07/2020**

5. The licence is subject to the conditions stated below and to such other conditions as may be specified in the rules for the time being in force under the Drugs and Cosmetics Act, 1948.

Signature : \_\_\_\_\_  
Designation : \_\_\_\_\_  
Commissioner  
Food & Drugs Central Administration  
Gujarat State.

Date: **03/07/2015**

Central Licensing Approving Authority:

**Dr. S. N. SINGH**  
Secretary  
Ministry of Health & Family Welfare  
Gujarat State

**Conditions of Licence**

1. This licence and any certificate of wholesale dealing shall be kept on the approved premises and shall be produced at the request of an Inspector appointed under the Drugs and Cosmetics Act, 1948, and C(I) (including those specified in Schedule C, C(I) and C(II)) involving those specified in Schedule C, C(I) and C(II) and shall apply to the Licensing Authority for the licensor's endorsement as provided in Rule 205. This licence will be deemed to be void in the event of any change in the competent technical staff shall be forthwith reported to the Licensing Authority.

2. The licensee shall inform the Licensing Authority in writing in the event of any change in the constitution of the firm operating under the licence. Whenever any change in the constitution of the firm takes place, the original licence shall be deemed to be valid for a maximum period of three months from the date on which the change takes place unless, in the meantime, a fresh licence has been taken from the Licensing Authority in the case of the firm with the changed Constitution.

File No. IAS/1706233

FDA CERTIFICATE

*Certificate OF REGISTRATION*

This is to Certify that **Medical Devices - Quality Management System** of

**Green Apple Surgitech Pvt Ltd**

Survey No. 19, Village Mahapura, Raniya Savli, District: Vadodara-391780, Gujarat, India.

Has been independently assessed and is compliant with the requirements of **ISO 13485:2016**

This certificate is applicable to the following product or service ranges:

MANUFACTURER & SUPPLIER OF ORTHOPEDIC IMPLANTS SUCH AS TRAUMA IMPLANTS & SPINAL IMPLANTS & INSTRUMENTS AND ACCESSORIES AS PER CUSTOMER'S REQUIREMENTS AND SURGICAL PRODUCTS SUCH AS ELASTIC ADHESIVE BANDAGE, COTTON CREPE BANDAGE, CANNULA FIXATOR & CAST PADDING AS PER B.P.(BRITISH PHARMACOPOEIA) GUIDELINES

ISO Certificate No.: **INS0274H**

Date of initial registration: 23 August 2017  
Date of this certificate: 23 August 2017  
Surveillance audit on or before: 18 August 2018  
Recertification Date/Certificate expiry: 23 August 2020

Director

**STAUCHLY**  
MANAGEMENT AND SYSTEM SERVICES PVT. LTD.

170, Madhav Building, 55, Indra Park, New Delhi - 110 016, India | +91 88 652022 | e-mail: info@staunchly.com, www.staunchly.com  
\*The Registration is valid for a Period of 5 Years. \*Subject to successful completion of surveillance audits. \*For the registration see www.certhub.com

ISO 13485:2016

# INDEX

**Title**

**Page No.**

**Non Locking Bone Screws**

**Non Locking Bone Plates**

**Locking Profile Bone Plates**

**Intramedullary Nailing Implants**

**Spine Implants**

**Pins & Wires**

**PROXIMAL FEMORAL NAIL  
ANTIROTATION (PFNA-II)**

# NON-LOCKING BONE SCREWS



1.5mm Cortical Screw  
Standard

Length (mm) : 6,8,10,12,16,18,20,22,24

Cat. No.: S.S. 4111-1506 to 4111-1524  
Tit. 4111-5-1506 to 4111-5-1524



2.0mm Cortical Screw  
Standard

Length (mm) : 6,8,10,12,16,18,20,22,24

Cat. No.: S.S. 4111-2006 to 4111-2024  
Tit. 4111-5-2006 to 4111-5-2024



2.7mm Cortical Screw  
Standard & Self Tapping (20 tpi)

Length (mm) : 6,8,10,12,16,18,20,22,24,26,28,30

Cat. No.: S.S. 4111-2706 to 4111-2740  
Tit. 4111-5-2706 to 4111-5-2740



3.5mm Cortical Screw  
Standard & Self Tapping (14 & 20 tpi)

Length (mm) : 10,12,16,18,20,22,24,26,28,30,32,  
34,36,38,40,42,46,48,50

Cat. No.: S.S. 4111-3510 to 4111-3550  
Tit. 4111-5-3510 to 4111-5-3550



4.5mm Cortical Screw  
Standard & Self Tapping (14 tpi)

Length (mm) : 12,16,18,20,22,24,26,28,30,32, 34,36,  
38,40,42,46,48,50,52,54,56,58,60,62,  
64,66,68,70

Cat. No.: S.S. 4111-4512 to 4111-4570  
Tit. 4111-5-4512 to 4111-5-4570

# NON-LOCKING BONE SCREWS



4.5mm Malleolar Screw

Length (mm) : 25,30,35,40,45,45,50,55,60,65,70,75,80,85,90

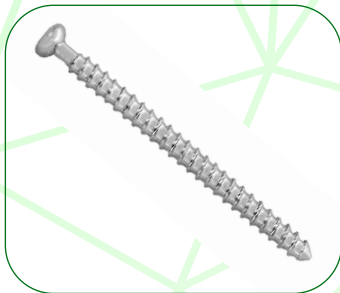
Cat. No.: S.S. 4112-4525 to 4112-4590  
Tit. 4112-5-4525 to 4112-5-4590



4.0mm Cancellous Screw  
Short Thread

Length (mm) : 14,16,18,20,22,24,26,28,30,35,40,45,50,55,60,65,70,75

Cat. No.: S.S. 4113-4012 to 4113-4080  
Tit. 4113-5-4012 to 4113-5-4080



4.0mm Cancellous Screw  
Full Thread

Length (mm) : 14,16,18,20,22,24,26,28,30,35,40,45,50,55,60,65,70,75

Cat. No.: S.S. 4114-4014 to 4114-4080  
Tit. 4114-5-4014 to 4114-5-4080



6.5mm Cancellous Screw 16mm/32mm/ Full Thread

Length (mm) : 25,30,35,40,45,45,50,55,60,65,70,75,80,85,90,95,100,105,110,115,120

Cat. No.: 16mm th. S.S. 4115-6525 to 4115-65120  
Tit. 4115-5-6525 to 4115-5-65120  
32mm th. S.S. 4116-6525 to 4116-65120  
Tit. 4116-5-6525 to 4116-5-65120  
Full th. S.S. 4117-6525 to 4117-65120  
Tit. 4117-5-6525 to 4117-5-65120

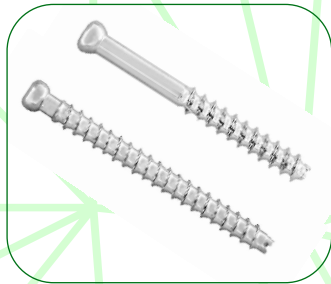


4.0mm Cannulated Cancellous Screw  
Short & Full Thread

Length (mm) : 10,12,14,16,18,20,22,24,26,28,30,35,40,45,50,55,60,65,70,75

Cat. No.: Short th. S.S. 4118-4020 to 4118-4080  
Tit. 4118-5-4020 to 4118-5-4080  
Full th. S.S. 4119-4020 to 4119-4020  
Tit. 4119-5-4020 to 4119-5-4020

# NON-LOCKING BONE SCREWS



## 6.5mm Cannulated Cancellous Screw

16mm/32mm/ Full Thread

Length (mm) :30,35,40,45,45,50,55,60,65,70,75,80,  
85,90,95,100,105,110,115,120

Cat. No.: 16mm th. S.S. 4120-6525 to 4120-65120

Tit. 4120-5-6525 to 4120-5-65120

32mm th. S.S. 4121-6525 to 4121-65120

Tit. 4121-5-6525 to 4121-5-65120

Full th. S.S. 4122-6525 to 4122-65120

Tit. 4122-5-6525 to 4122-5-65120



## 7.0mm Cannulated Cancellous Screw

16mm/32mm Thread

Length (mm) :30,35,40,45,45,50,55,60,65,70,75,80,  
85,90,95,100,105,110,115,120

Cat. No.: 16mm th. S.S. 4123-7030 to 4123-70120

Tit. 4123-5-7030 to 4123-5-70120

32mm th. S.S. 4124-7030 to 4124-70120

Tit. 4124-5-7030 to 4124-5-70120



## Herbert Screw

3.5mm Diameter Cat. No.: Tit. 7002-5-3514 to 7002-5-3570

Length (mm) : 10,12,14,16,18,20,22,24,26,28,30

4.5mm Diameter Cat. No.: Tit. 7002-5-4518 to 7002-5-4580

Length (mm) : 14,16,18,20,22,24,26,28,30

6.5mm Diameter Cat. No.: Tit. 7002-5-6525 to 7002-5-6590

Length (mm) : 20,25,30,35,40,45,50,55,60,65,70,75,80

# NON-LOCKING BONE PLATES



## 3.5mm Dynamic Compression Plate Small

Hole : 4,5,6,7,8,9,10,11,12,13,14,15

Cat. No.: S.S. 4211-3504 to 4211-3516

Tit. 4211-5-3504 to 4211-5-3516



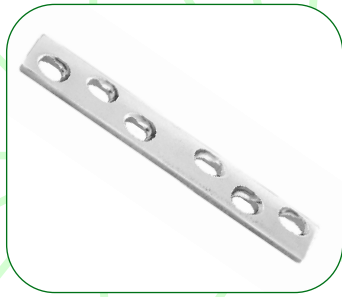
## 4.5mm Dynamic Compression Plate Narrow

Hole : 4,5,6,7,8,9,10,11,12,13,14,15,16

Cat. No.: S.S. 4212-4504 to 4212-3518

Tit. 4212-5-4504 to 4212-5-4518

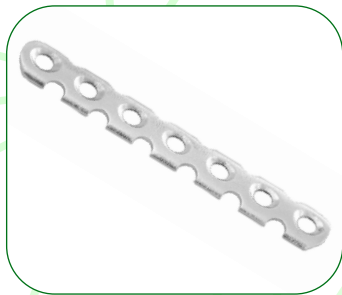
# NON-LOCKING BONE PLATES



4.5mm Dynamic Compression Plate Broad

Hole : 5,6,7,8,9,10,11,12,13,14,15,16

Cat. No.: S.S. 4213-4504 to 4213-4520  
Tit. 4213-5-4504 to 4213-5-4520



3.5mm Reconstruction Plate

Dynamic Hole Cat. No.: S.S. 4219-3504 to 4219-3524  
Tit. 4219-5-3504 to 4219-5-3524  
Round Hole Cat. No.: S.S. 4220-3504 to 4220-3524  
Tit. 4220-5-3504 to 4220-5-3524

Hole : 2,3,4,5,6,7,8,9,10,12,14,16,18,20,22,24



4.5mm Reconstruction Plate

Dynamic Hole Cat. No.: S.S. 4221-4504 to 4221-4518  
Tit. 4221-5-4504 to 4221-5-4518  
Round Hole Cat. No.: S.S. 4222-4504 to 4221-4518  
Tit. 4221-5-4504 to 4221-5-4518

Hole : 5,6,7,8,9,10,12,14,16,18,20,22,24



One Third Tubular Plate

Hole : 3,4,5,6,7,8,9,10,11,12

Cat. No.: S.S. 4217-3504 to 4217-3512  
Tit. 4217-5-3504 to 4217-5-3512



Semi Tubular Plate

Hole : 3,4,5,6,7,8,9,10

Cat. No.: S.S. 4218-4504 to 4218-4514  
Tit. 4218-5-4504 to 4218-5-4514



# NON-LOCKING BONE PLATES



4.5mm Condylar Buttress Plate (Left & Right)

Hole: 7,9,11,13,15

Right Cat. No.: S.S. 4235-4504 to 4235-4515

Tit. 4235-5-4504 to 4235-5-4515

Left Cat. No.: S.S. 4236-4504 to 4236-4515

Tit. 4236-5-4504 to 4236-5-4515



Distal Femur Plate (Left & Right)

Hole: 5,7,9,11,13

Right Cat. No.: S.S. 4237-4504 to 4237-4515

Tit. 4237-5-4504 to 4237-5-4515

Left Cat. No.: S.S. 4238-4504 to 4238-4515

Tit. 4238-5-4504 to 4238-5-4515



4.5mm Lateral Tibial Buttress Plate  
(Left & Right)

Hole 5,7,9,11,13

Right Cat. No.: S.S. 4233-4504 to 4233-4515

Tit. 4233-5-4504 to 4233-5-4515

Left Cat. No.: S.S. 4234-4504 to 4234-4515

Tit. 4234-5-4504 to 4234-5-4515



3.5mm Cloverleaf Plate

Hole : 3, 4, 5, 6, 7

Cat. No.: S.S. 4239-3504 to 4239-3514

Tit. 4239-5-3504 to 4239-5-3514



4.5mm T-Plate

Hole : 2,3,4,5,6,7,8,9,10,11,12

Cat. No.: S.S. 4225-4503 to 4225-4516

Tit. 4225-5-4503 to 4225-5-4516

# NON-LOCKING BONE PLATES



4.5mm T-Buttress Plate

Hole : 2,3,4,5,6,7 ,8,9,10,11,12

Cat. No.: S.S. 4226-4503 to 4226-4516  
Tit. 4226-5-4503 to 4226-5-4516



4.5mm L-Buttress Plate (Left & Right)

Hole 2,3,4,5,6,7,8,9,10,11,12,13,14

Right Cat. No.: S.S. 4229-4503 to 4229-4516  
Tit. 4229-5-4503 to 4229-5-4516

Left Cat. No.: S.S. 4230-4503 to 4230-4516  
Tit. 4230-5-4503 to 4230-5-4516



Spoon Plate

Hole : 4, 5, 6

Cat. No.: S.S. 4240-3503 to 4240-3512  
Tit. 4240-5-3503 to 4240-5-3512

# NON-LOCKING BONE PLATES



4.5mm Condylar Buttress Plate (Left & Right)

Hole: 7,9,11,13,15

Right Cat. No.: S.S. 4235-4504 to 4235-4515

Tit. 4235-5-4504 to 4235-5-4515

Left Cat. No.: S.S. 4236-4504 to 4236-4515

Tit. 4236-5-4504 to 4236-5-4515



Distal Femur Plate (Left & Right)

Hole: 5,7,9,11,13

Right Cat. No.: S.S. 4237-4504 to 4237-4515

Tit. 4237-5-4504 to 4237-5-4515

Left Cat. No.: S.S. 4238-4504 to 4238-4515

Tit. 4238-5-4504 to 4238-5-4515



4.5mm Lateral Tibial Buttress Plate  
(Left & Right)

Hole 5,7,9,11,13

Right Cat. No.: S.S. 4233-4504 to 4233-4515

Tit. 4233-5-4504 to 4233-5-4515

Left Cat. No.: S.S. 4234-4504 to 4234-4515

Tit. 4234-5-4504 to 4234-5-4515



3.5mm Cloverleaf Plate

Hole : 3, 4, 5, 6, 7

Cat. No.: S.S. 4239-3504 to 4239-3514

Tit. 4239-5-3504 to 4239-5-3514



4.5mm T-Plate

Hole : 2,3,4,5,6,7,8,9,10,11,12

Cat. No.: S.S. 4225-4503 to 4225-4516

Tit. 4225-5-4503 to 4225-5-4516

# LOCKING PROFILE BONE PLATES



3.5mm DCP Small Locking Plate

Hole : 5,6,7,8,9,10,11,12

Cat. No.: S.S. 4301-1-3504 to 4301-3514  
Tit. 4301-5-3504 to 4301-5-3514



4.5mm DCP Narrow Locking Plate

Hole : 5,6,7,8,9,10,11,12

Cat. No.: S.S. 4501-1-5004 to 4501-5018  
Tit. 4501-5-5004 to 4501-5-5018



4.5mm DCP Broad Locking Plate

Hole : 5,6,7,8,9,10,11,12

Cat. No.: S.S. 4601-1-5004 to 4601-5018  
Tit. 4601-5-5004 to 4601-5-5018



Distal Femur Plate (Left & Right)

Hole: 5,7,9,11,13

Right Cat. No.: S.S. 4602-5004 to 4602-5015  
Tit. 4602-5-5004 to 4602-5-5015

Left Cat. No.: S.S. 4603-5004 to 4603-5015  
Tit. 4603-5-5004 to 4603-5-5015

# LOCKING PROFILE BONE PLATES



Tibia Lateral Head Buttress Locking Plate (Left & Right)

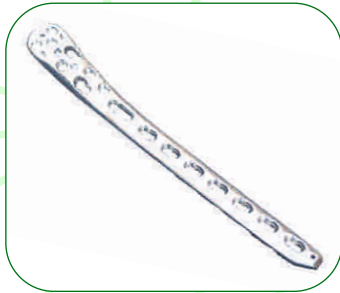
Hole: 5,7,9,11,13

Right Cat. No.: S.S. 4502-1-5003 to 4502-5015

Tit. 4502-5-5003 to 4502-5-5015

Left Cat. No.: S.S. 4503-1-5003 to 4503-5015

Tit. 4503-5-5003 to 4503-5-5015



Distal Tibial Medial Locking Plate (Left & Right)

Hole : 3,4,5,6,7,8,9,10,11,12

Right Cat. No.: S.S. 4518-1-3503 to 4518-1-3514

Tit. 4518-5-3503 to 4518-5-3514

Left Cat. No.: S.S. 4519-1-3503 to 4519-3514

Tit. 4519-5-3503 to 4519-5-3514



Distal Tibial Medial Oblique support Locking Plate (Left & Right)

Hole : 3,4,5,6,7,8,9,10,11,12

Right Cat. No.: S.S. 4520-1-3503 to 4520-1-3514

Tit. 4520-5-3503 to 4520-5-3514

Left Cat. No.: S.S. 4521-1-3503 to 4521-3514

Tit. 4521-5-3503 to 4521-5-3514



Distal Tibial Anterolateral Locking Plate (Left & Right)

Hole : 5,6,7,8,9

Right Cat. No.: S.S. 4524-1-3503 to 4524-1-3513

Tit. 4524-5-3503 to 4524-5-3513

Left Cat. No.: S.S. 4525-1-3503 to 4525-3513

Tit. 4525-5-3503 to 4525-5-3513



L- Locking Plate (Left & Right)

Hole : 2,3,4,5,6,7,8,9,10,11,12

Right Cat. No.: S.S. 4512-1-5003 to 4512-1-5014

Tit. 4512-5-5003 to 4512-5-5014

Left Cat. No.: S.S. 4513-1-5003 to 4513-5014

Tit. 4513-5-5003 to 4513-5-5014

# LOCKING PROFILE BONE PLATES



Proximal Lateral Tibia Locking Plate (Left & Right)

Hole : 5,7,9,11

Right Cat. No.: S.S. 4504-1-5005 to 4504-5013

Tit. 4504-5-5005 to 4504-5-5013

Left Cat. No.: S.S. 4504-1-5005 to 4504-5013

Tit. 4504-5-5005 to 4504-5-5013



Distal Fibula Locking Plate

Hole : 3,4,5,6,7

Cat. No.: S.S. 4523-1-3503 to 4523-1-3508

Tit. 4523-5-3503 to 4523-5-3508



Distal Humerus Posterolateral Locking Plate with support (Left & Right)

Hole : 4, 6, 8,9,10

Right Cat. No.: S.S. 4408-1-3503 to 4408-1-3510

Tit. 4408-5-3503 to 4408-5-3510

Left Cat. No.: S.S. 4409-1-3503 to 4409-1-3510

Tit. 4409-5-3503 to 4409-5-3510



Distal Humerus Posterolateral Locking Plate (Left & Right)

Hole : 4, 6, 8,9,10

Right Cat. No.: S.S. 4410-1-3503 to 4410-1-3510

Tit. 4410-5-3503 to 4410-5-3510

Left Cat. No.: S.S. 4411-1-3503 to 4411-1-3510

Tit. 4411-5-3503 to 4411-5-3510



Distal Humerus Medial Locking Plate (Left & Right)

Hole : 4, 6, 8,9,10

Right Cat. No.: S.S. 4406-1-3503 to 4406-1-3510

Tit. 4406-5-3503 to 4406-5-3510

Left Cat. No.: S.S. 4407-1-3503 to 4407-1-3510

# LOCKING PROFILE BONE PLATES



Distal Humerus Extra Articular Locking Plate (Left & Right)

Hole : 4, 6, 8,9,10

Right Cat. No.: S.S. 4412-1-3503 to 4412-1-3510

Tit. 4412-5-3503 to 4412-5-3510

Left Cat. No.: S.S. 4413-1-3503 to 4413-1-3510

Tit. 4413-5-3503 to 4413-5-3510



Proximal Humerus Locking Plate

Hole : 3,4,5,6,7,8,9,10,11,12

Cat. No.: S.S. 4402-1-3503 to 4402-1-3514

Tit. 4402-5-3503 to 4402-5-3514



Proximal Humerus Locking Plate (Low Profile)

Hole : 3,4,5,6,7,8,9,10,11,12

Cat. No.: S.S. 4401-1-3503 to 4401-1-3514

Tit. 4401-5-3503 to 4401-5-3514



3.5mm Locking screw

Length(mm):10,12,14,16,18,20,22,24,26,28,30,32,

34,36,38,40,42,44,46,48,50

Cat. No.: S.S. 4701-1-3510 to 4701-1-3580

Tit. 4701-5-3510 to 4701-5-3580



5.0mm Locking screw

Length(mm):10,12,14,16,18,20,22,24,26,28,30,32,

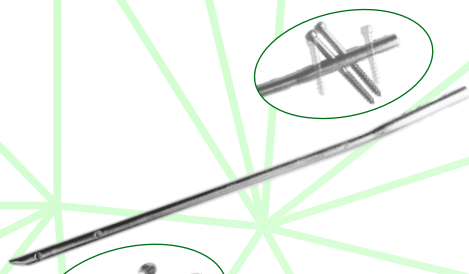
34,36,38,40,42,44,46,48,50,55,60,

65,70,75,80,85,90

Cat. No.: S.S. 4701-1-5014 to 4701-1-5100

Tit. 4701-5-5014 to 4701-5-5100

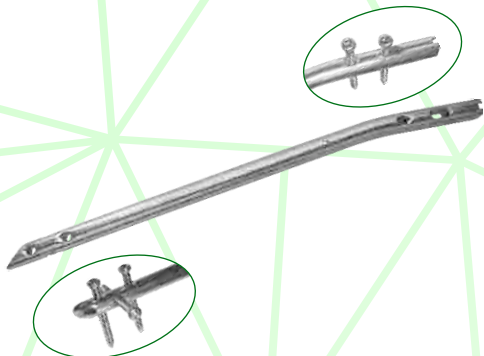
# INTRAMEDULLARY NAILING IMPLANTS



## Universal Humerus Nail

Diameter(mm) : 6.5,7.0,7.5,8.0  
Length(mm) : 180,190,200,210,220,230,240,  
250,260,270,280,290,300

Cat. No.: S.S. 4801-1-6518 to 4801-1-6530  
Tit. 4801-5-6518 to 4801-5-6530

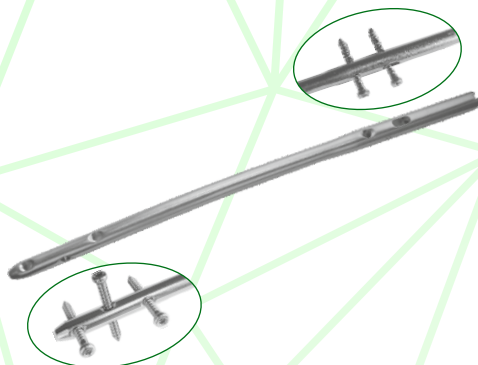


## Universal Tibial Nail (Cannulated)

Diameter(mm) : 8,9,10,11  
Length(mm) : 260,28,300,320,340,360,380

(Also available in Solid)

Cat. No.: S.S. 4802-1-8026 to 4802-1-8038  
Tit. 4802-5-8026 to 4802-5-8038

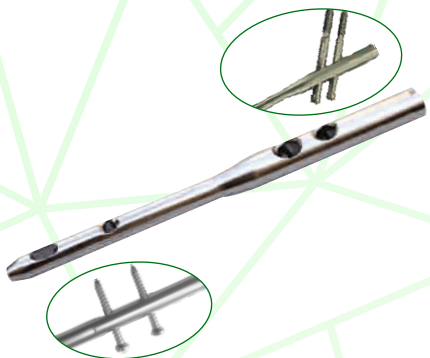


## Universal Femoral Nail (Cannulated)

Diameter (mm) : 9,10,11,12  
Length (mm) : 320,340,360,380,400,420,440,

(Also available in solid)

Cat. No.: S.S. 4804-1-9032 to 4804-1-9044  
Tit. 4804-5-9032 to 4804-5-9044

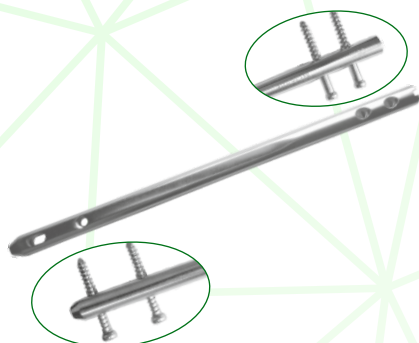


## PFN - Proximal Femur Nail Short(130°, 135°)

Diameter(mm):9,10,11,12

Length(mm) : 180,250

Cat. No.: S.S. 4810-1-9025  
Tit. 4810-5-9025



## Distal Femur Nail

Diameter(mm): 10,11,12

Length(mm): 150,200,250,300.

Cat. No.: S.S. 4813-1-9015 to 4813-1-9030  
Tit. 4813-5-9015 to 4813-1-9030



# SPINE IMPLANTS



## Mono Axial Pedicle Screw

(Available in Titanium)

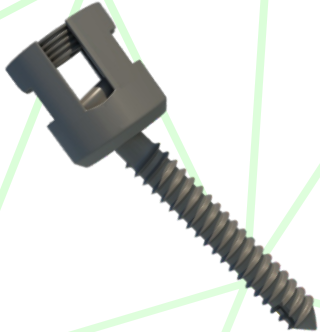
Cat. No. :4.5mm 6101-5-4526 to 6101-5-4545

Cat. No. :5.5mm 6101-5-5525 to 6101-5-5555

Cat. No. :6.5mm 6101-5-6525 to 6101-5-6555

Diameter (mm) : 4.5, 5.5, 6.5

Length (mm) : 25, 30, 35, 40, 45, 50, 55



## Poly Axial Pedicle Screw

(Available in Titanium)

Cat. No. :4.5mm 6102-5-4526 to 6102-5-4545

Cat. No. :5.5mm 6102-5-5525 to 6102-5-5555

Cat. No. :6.5mm 6102-5-6525 to 6102-5-6555

Diameter (mm) : 4.5, 5.5, 6.5

Length (mm) : 25, 30, 35, 40, 45, 50, 55



## Spine Rod

(Available in Titanium)

Cat. No. :3.0mm 6108-5-3060 to 6108-5-3150

Diameter (mm) : 3.0

Length (mm) : 60, 90, 120, 130, 150



## Reduction Poly Axial Screw

(Available in Titanium)

Cat. No. :4.5mm 6103-5-4530 to 6103-5-4545

Cat. No. :5.5mm 6103-5-5525 to 6103-5-5555

Cat. No. :6.5mm 6103-5-6530 to 6103-5-6565

Diameter (mm) : 4.5, 5.5, 5.5

Length (mm) : 30, 35, 40, 45, 50, 55

# SPINE IMPLANTS

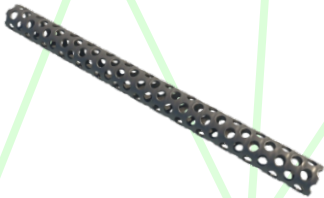


## Anterior Cervical Plate

(Available in Titanium)

Cat. No. :6117-5-0023 to 6117-5-4561

Length (mm) : 23, 25, 27, 30, 33, 35, 39,  
41, 43, 49, 51, 55, 61



## Eco / Mesh Cage

(Available in Titanium)

Cat. No. :6121-5-5010 to 6121-5-5100

Cat. No. :6121-5-5220 to 6121-5-5250

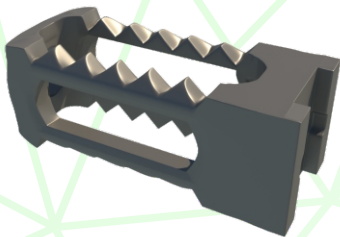
Cat. No. :6121-5-5420 to 6121-5-5480

Cat. No. :6121-5-5620 to 6121-5-5680

Cat. No. :6121-5-5820 to 6121-5-5880

Length (mm) : 20, 25, 30, 35, 40, 45, 50,  
55, 60, 65, 70, 80

Diameter (mm) : 10, 12, 14, 16, 18



## Plif / Bullet Cage

(Available in Titanium)

Cat. No. :6124-5-0015 to 6124-5-0025

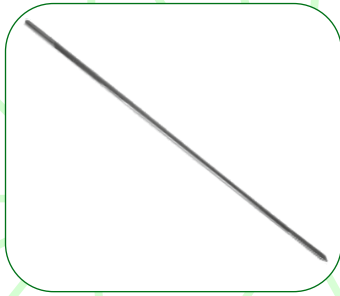
Cat. No. :6124-5-4015 to 6124-5-4025

Cat. No. :6124-5-8015 to 6124-5-8025

Length (mm) : 15, 20, 25

Diameter (mm) : 0, 4, 8

# PINS & WIRES



Schanz Screw

Short / Long / Tapper

Diameter(mm) : 1.5, 2.7, 3.5, 4.5

Length(mm) : 100, 150, 200, 250

Cat. No.: S.S. 5015-1-0000

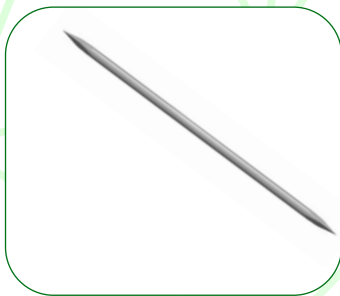


Knowel Pin

Length(mm)

50 - 120 (diff 5.0mm)

Cat. No.: S.S. 5018-1-0000



Kirschner Wires

Length: 150mm, 230mm, 300mm

Diameter(mm) : 1.0, 1.2, 1.5, 1.8, 2.0, 2.5, 3.0

Cat. No.: S.S. 5009-1-0000



Square Nail

Radius

Diameter (mm) : 1.5,2.0,2.5,3.0,3.5

Length (cm) : 14,15,16,17,18,19,20,21,22,23,24,  
25,26,27,28,29,30

Cat. No.: S.S. 5002-1-0000



Square Nail

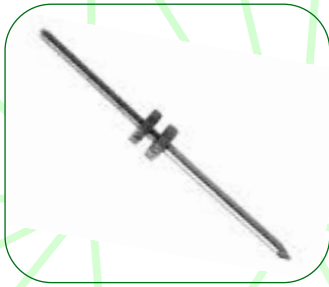
Ulna

Diameter (mm) : 1.5,2.0,2.5,3.0,3.5

Length (cm) : 14,15,16,17,18,19,20,21,22,23,24,  
25,26,27,28,29,30

Cat. No.: S.S. 5001-1-0000

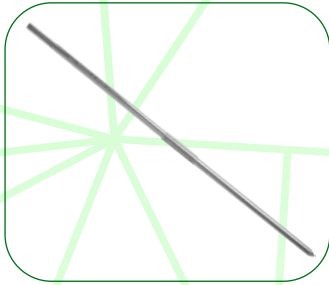
# PINS & WIRES



Austin Moore Pin

Length(mm)  
40 - 95 (diff 5.0mm)

Cat. No.: S.S. 5109-1-0000



Denham Pin

Diameter(mm)  
3.0, 3.5, 4.0, 4.5, 5.0, 5.5

Cat. No.: S.S. 5107-1-0000

## PROXIMAL FEMORAL NAIL ANTIROTATION (PFNA-II)



### PROXIMAL FEMORAL NAIL ANTIROTATION (PFNA-II)

(Available in Titanium)

Cat. No. :4819-5-9018 to 4819-5-1218

Cat. No. :4802-5-9025 to 4802-5-1225

Cat. No. :4821-5-9034 to 4821-5-9042

Cat. No. :4821-5-1034 to 4821-5-1042

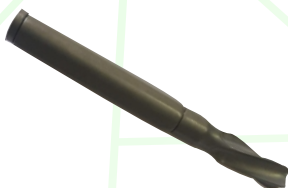
Cat. No. :4821-5-1134 to 4821-5-1142

Cat. No. :4821-5-1234 to 4821-5-1242

Diameter (mm) : 9, 10, 11, 12

Length (mm) : Short : 180, 240

Long: 340, 360, 380, 400, 420



### PFNA-II HELICAL BLADE

(Available in Titanium)

Cat. No. :4910-5-8070 to 4910-5-8110

Length (mm) : 80, 85, 90, 95, 100, 105, 110

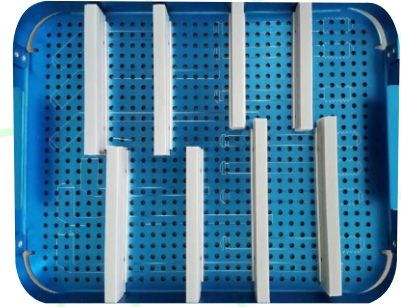
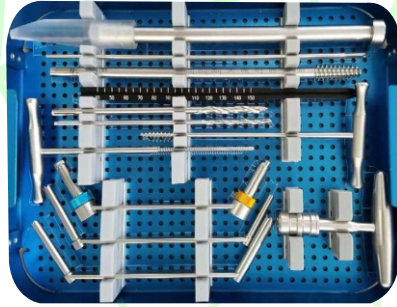
# SPINE INSTRUMENT IMPORTED SET



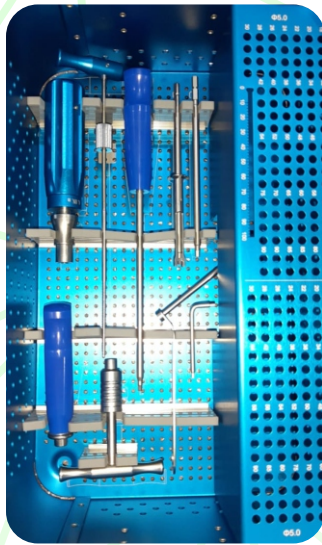
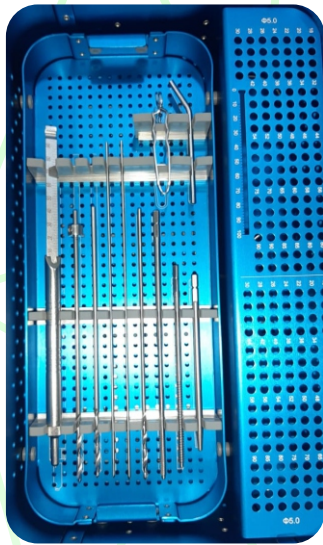
# SMALL FRAGMENT IMPORTED INSTRUMENT SET



# DHS IMPORTED INSTRUMENT SET



# LARGE FRAGMENT IMPORTED INSTRUMENT SET



# PFN A2 INSTRUMENT SET

